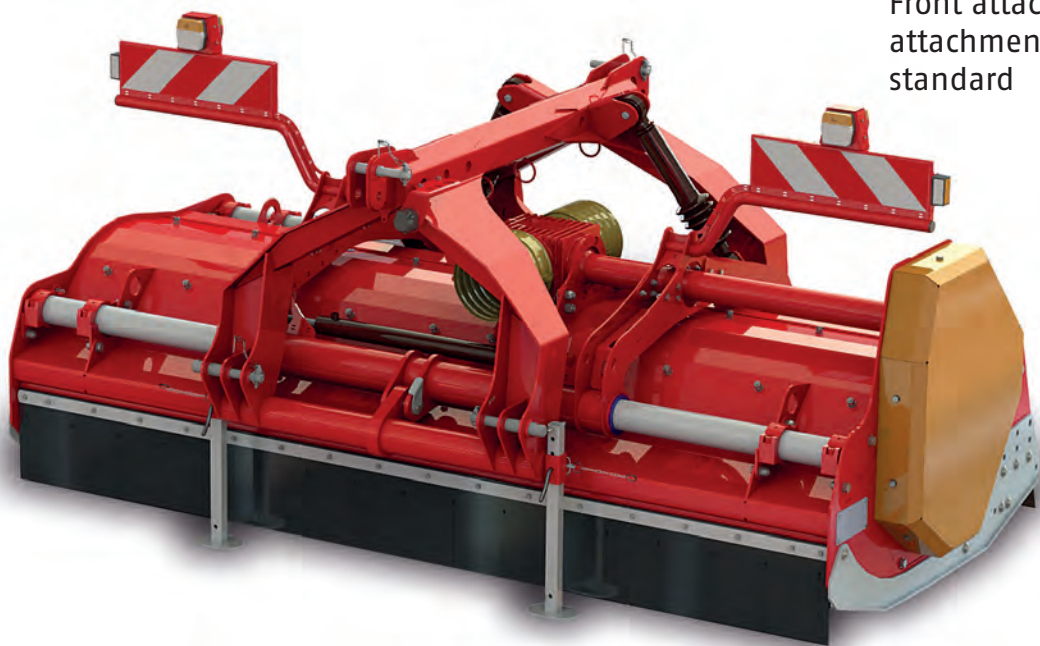


FLAIL MOWER UMG 2800



Flail Mower UMG 2800

Front attachment and rear attachment Displacement as standard





Uni mower UMG 2800 in front attachment



Uni mower UMG 2800 in combination with uni side mower USM



The UMG 2800 uni mower was developed as a mowing and mulching machine for use on fallow land, pastures or on maize stubble fields on tractors from 73 KW/100 HP upwards.

The mower housing is made of high-strength fine-grained steel. The UMG 2800 is equipped with free floating flails (3 kg each) as standard. In addition, an adjustable counter blade is installed for optimum adjustment of the shredding degree. Depending on the desired shredding degree, up to two additional chaff-cutter combs can be attached. The large diameter of the mower hood allows for high throughputs.

The bearings of the scanning roller and the flail shaft have been redesigned and relocated to the inside. This installation optimally protects the bearings against moisture and dirt. In addition, the bearings are maintenance-free and „lubricated for life“. This internal bearing as well as the optimised drive with automatic tensioning device ensure a maximum working width and reduced maintenance costs.

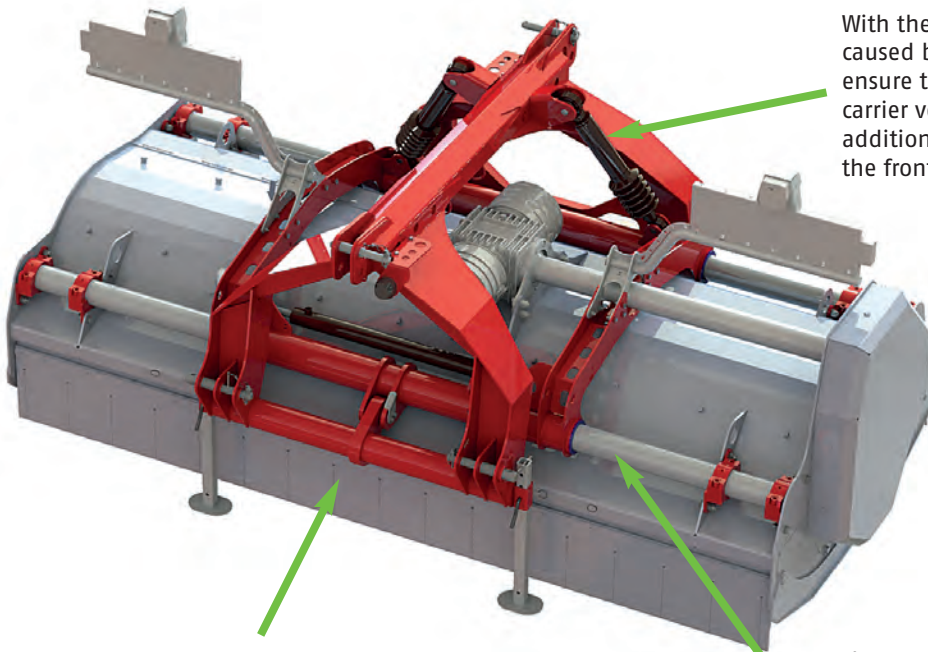
A three-point linkage for use in front and rear attachment is installed as standard. A hydraulic lateral displacement of 60 cm ensures an optimum range of use.

The heavy-duty PTO shaft design with hardened inner pipe and tube bottom lubrication is of quality „made in Germany“ and ensures the trouble-free supply of spare parts.

Flail Mower UMG 2800

The **three-point linkage** is designed for use in front and rear attachment.

With the help of the 2 shock absorbers, impacts caused by uneven ground are absorbed to ensure that the working equipment and the carrier vehicle are protected. As an option, additional relieving springs can be installed for the front attachment.



In the front attachment, the trailed and swinging attachment frame offers optimum ground adjustment with up to 4 cm swinging travel (or 22 cm on the outer scanning skids). The machine also benefits from the swinging holder in the rear attachment.

The standard **hydraulic lateral displacement** of 0.60 m ensures that, when mowing in row crops, the mowing track is adapted. Moreover, overlapping with the rear side mower USM can be adjusted. The wear-resistant plastic bearing on the displacement pipes is maintenance-free.

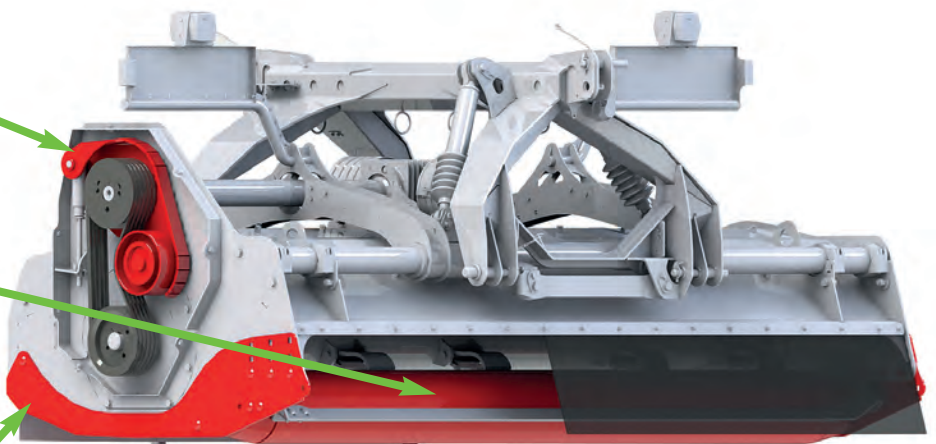
The **automatic V-belt tensioning** guarantees minimal belt slip in case of impact, so that optimum power transmission and the longevity of the belt drive can be ensured.

Height-adjustable scanning roller

the cutting height can be adjusted to different cases of application via the height-adjustable scanning roller.

The height adjustment via the scanning roller always ensures a clean and even mowing pattern.

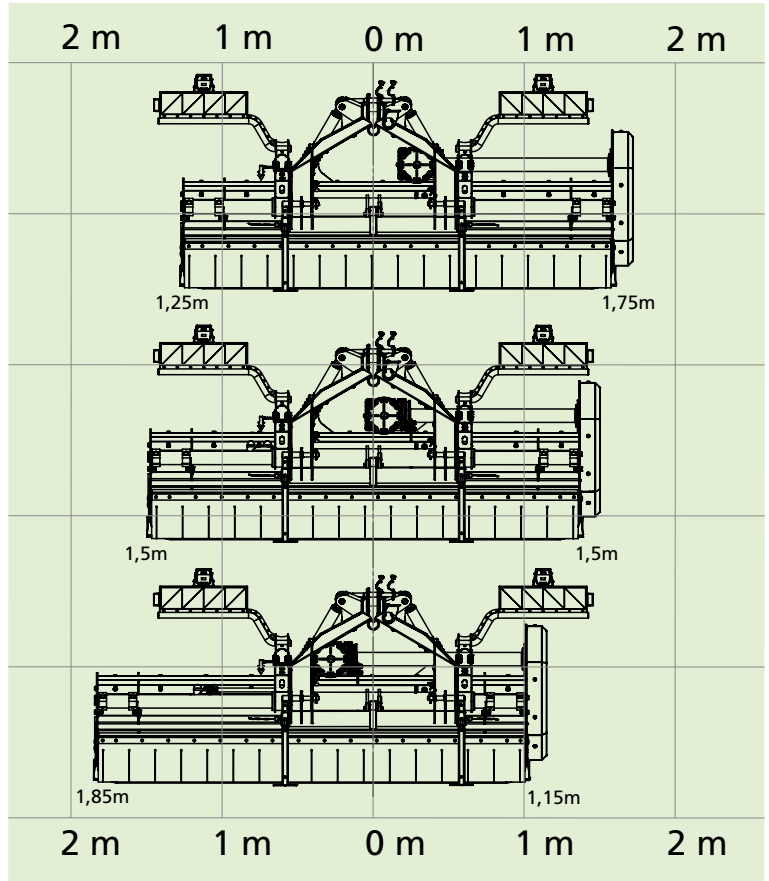
The height is adjusted via the high-strength wear skids. The wear skids guarantee a long service life and are individually replaceable.



Technical data



hydraulic adjustment by 0.60 m



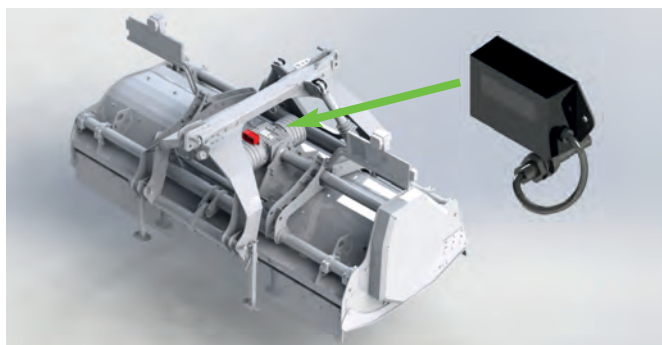
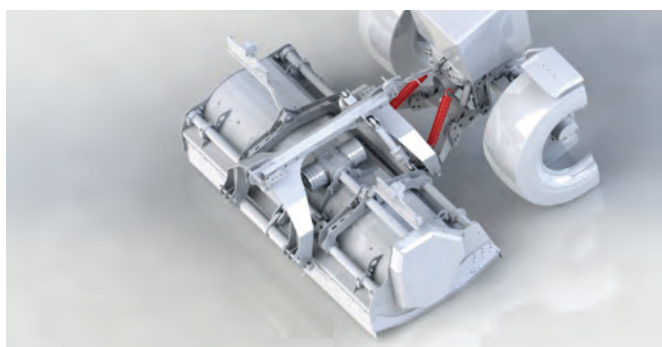
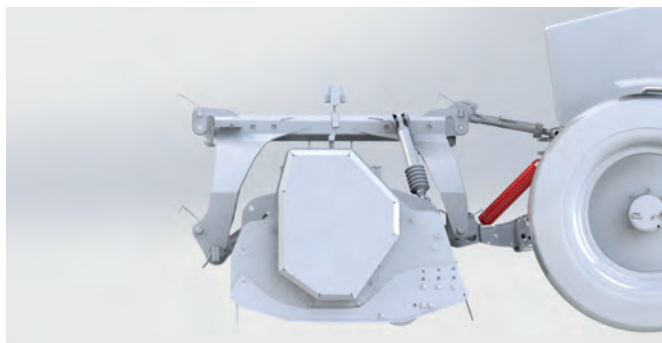
Displacement chart

Technical data

UMG 2800

Working width	m	2,80
Total width	m	2,99
Transportbreite	m	2,99
Power requirement from ab	KW/PS	73/100
Speed optionally	rpm	540/750/1000
Area output	ha/h	2,80
Hydraulic displacement range	m	0,60
Number of flails	Stück	26
Weight basic equipment	kg	1680

Additional equipment



Relieving springs

Since front-attached implements are inherently more difficult to guide than rear-attached implements, the newly designed three-point linkage with its trailed and swinging attachment ensures decent guidance of the UMG 2800 uni mower.

Additionally, optional ground relieving springs are available for use in the front. The relieving springs are attached on the tractor and are individually adjustable. This allows for setting the support pressure of the mower.

Operating hours counter

The digital operating hours counter is powered by an integrated, high-performance battery.

When the PTO shaft is switched on, the operating hours are counted via a protected sensor with an accuracy of 2 decimals.

The operating hours cannot be reset.



Additional equipment

- **Warning panel with LED contour lamp (Figure 1)**
- **LED supplementary lighting** for front and rear with indicator, indicator monitoring and brake light (Figure 2)
- **Wear protection insert** made of high-strength steel (Figure 3)
- **2 x chaff-cutter comb** additionally available, (if only one chaff-cutter comb is ordered, it is installed frontally on the hood (Figure 4))
- **Adjustable counter blade** standard equipment (Figure 5)
- **Scraper on the roller** (Figure 6)

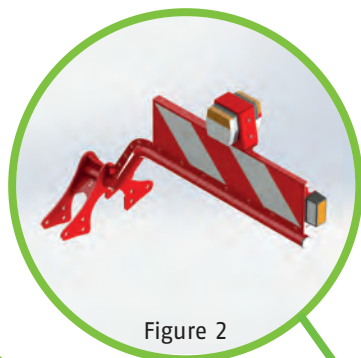


Figure 2

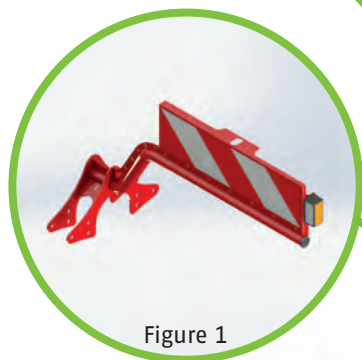


Figure 1

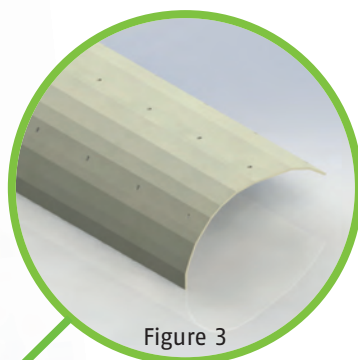


Figure 3

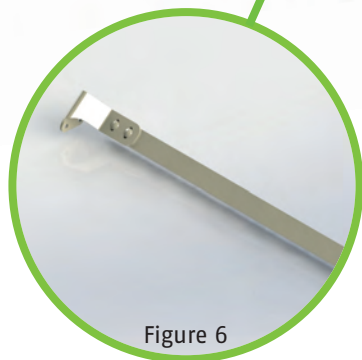
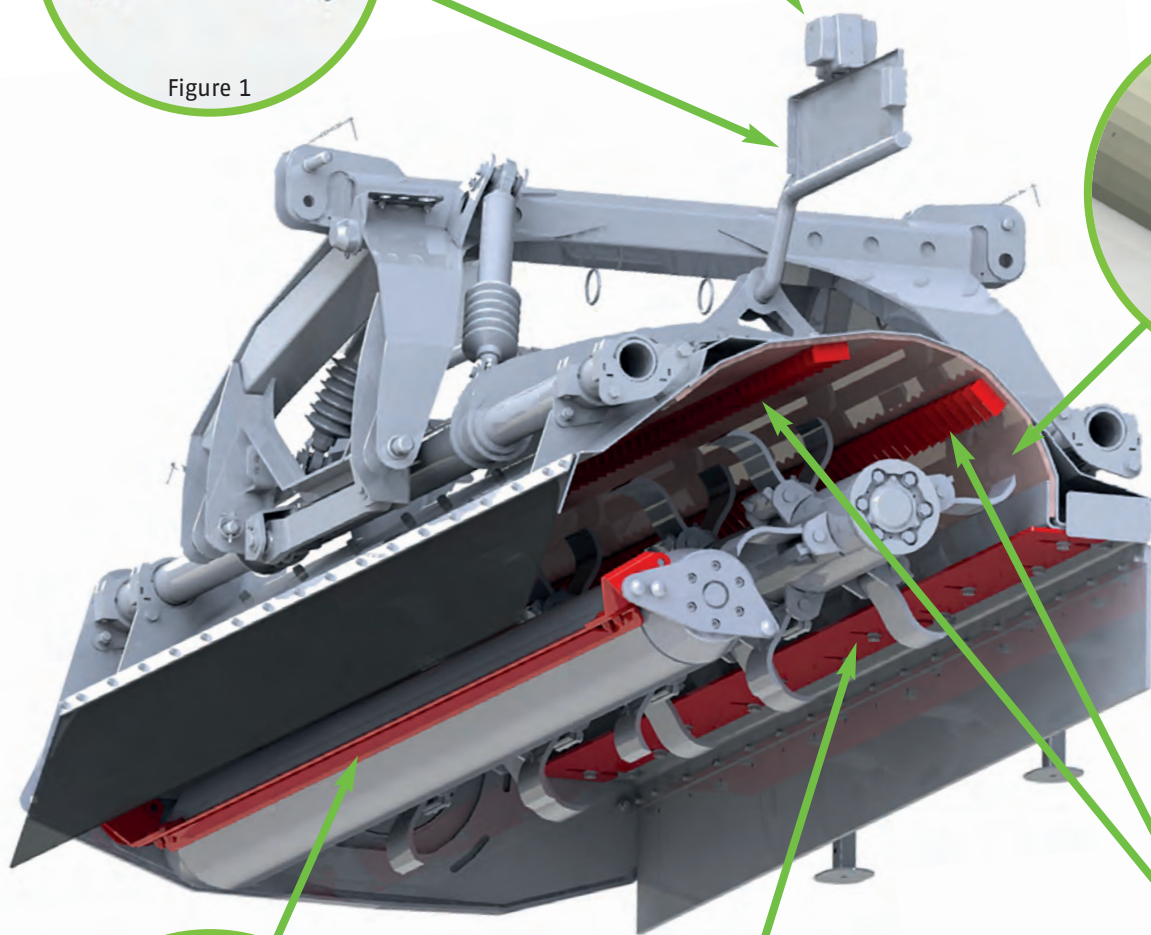


Figure 6

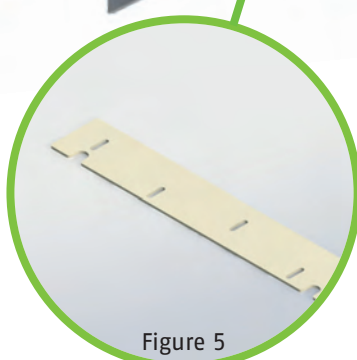


Figure 5

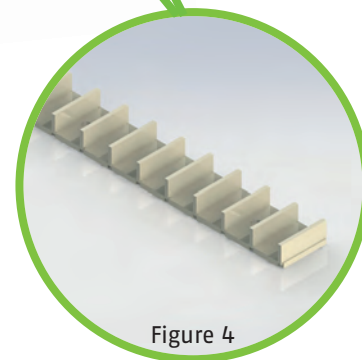


Figure 4

Technology for environmental landscape maintenance and agriculture



VERKOOP:

Kruse Ootmarsum

Postbus 78 · 7630 AB Ootmarsum
Tel.: (00 31) (0)5 41 - 29 17 56
Fax: (00 31) (0)5 41 - 29 22 58
E-Mail: info@kruse.nl
Internet: www.kruse.nl



GERHARD DÜCKER GMBH & CO. KG
48703 Stadtlohn, Wendfeld 9, Germany
Telefon 0 25 63 / 93 92 - 0
E-Mail info@duecker.de
Internet www.duecker.de

