

WATER TECHNOLOGY



Implements for water technology



TWA 18 - Tunnel washing system
Width of brush: 1800 mm
Speed of the brush: 280 rpm
Weight: approx. 285 kg



SWA 900 - Sign washing system
Width of brush: 900 mm
Speed of the brush: 250 rpm
Weight: approx. 155 kg



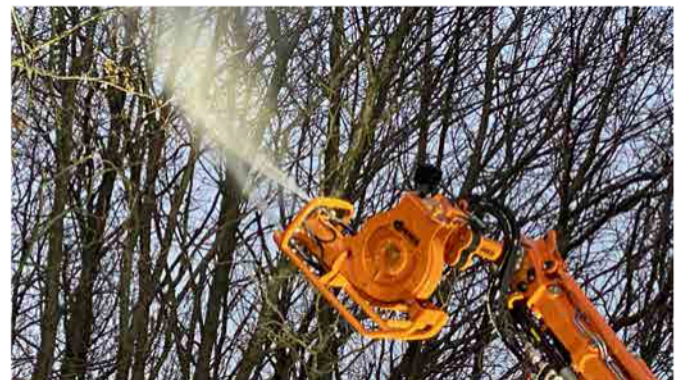
LPW 500 - Delineator and sign washing system
Working width: 500 mm
Rotation speed: max. 375 rpm
Weight: approx. 150 kg



HDB 20 - High-pressure water bar
Working width: 2000 mm
Weight: approx. 40 kg



Casting system



Blower with spraying device
Range: up to 30 m height
Weight: approx. 110 kg

Tunnel washing system TWA 18-24



TWA when cleaning solar modules

The tunnel washing system is available in working widths 1,80 m to 2,40 m. They are mainly used in tunnels.

Another application is the cleaning of hall walls or solar modules. Due to the optional automatic button, the device can be guided perfectly and without much effort.



Automatic button on the tunnel washing system



Use of TWA in the tunnel

Delineator and sign washing system



LPW 500 when cleaning signs

The DÜCKER delineator and sign washing units are used as implements on the DÜCKER outrigger. The purpose is the cleaning of signs, delineators and noise barriers.

Here, too, different working widths are possible.



LPW 500 when cleaning delineators



SWA 900 when cleaning signs



SWA 900 when cleaning noise barriers

High-pressure water bar

The DÜCKER high-pressure water bar can be used in many different ways. It can be mounted as an implement on the outrigger or at the front in the attachment plate. Even the application of chemicals is no problem.

Various equipment versions are available with working widths of up to over 3,50 m, as well as folding and other shapes that can be individually adapted to the tunnel.



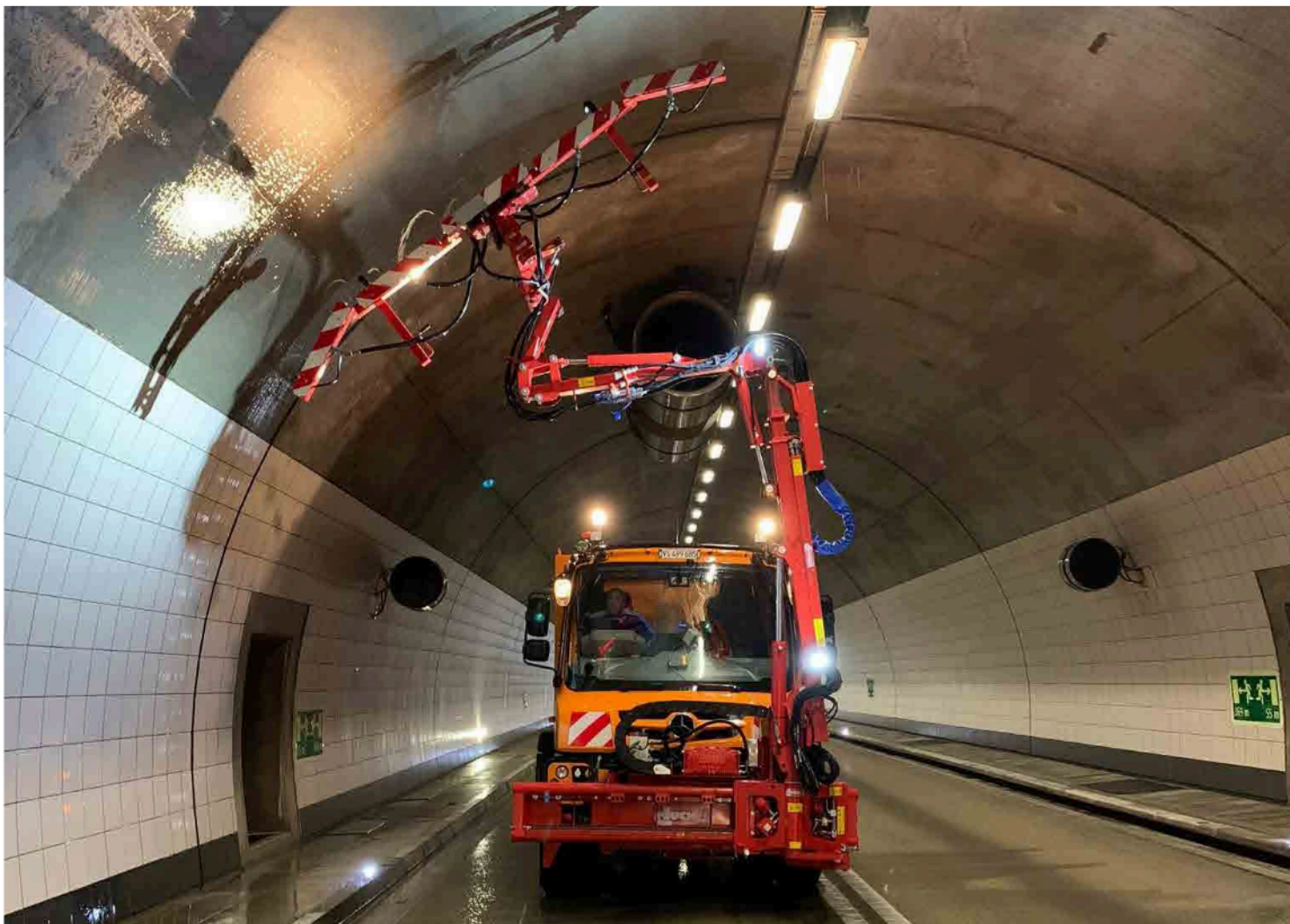
High-pressure water bar mounted on the attachment plate



High-pressure water bar mounted on outrigger



High-pressure water bar on the municipal vehicle



High-pressure water bar in use in the tunnel

Blower with spraying device

The blower with spraying device has been developed to further extend the application of our outriggers. This blower can be used, for example, to spray nematodes to control oak processionary moths. The blower can also be used with other sprayable agents. An LED work light can be optionally attached to the implement.



Blower with spraying device in use



Blower with spraying device

Casting system

As our climate is changing more and more and municipalities and cities have to irrigate their facilities during the dry season, the use of a watering head is a sensible solution to quickly and flexibly apply water to a wide variety of locations. Existing high-pressure water pumps can be used for this purpose.



Casting head



Casting head in use

Sweeping machines with water technology

The DÜCKER sweeping machines of the HDK, FKM and SFK series can also be additionally equipped with water technology. You can choose between a water spraying system for dust binding and a high-pressure system for flushing. These units are used for dirty and heavily soiled surfaces.

The body and drive are individually adapted and matched to the carrier vehicle. The pump is usually mounted on the water tank or alternatively on the sweeping machine.



High-pressure bar mounted on sweeping machine SFK



FKM sweeping machine with built-in water tank and water spraying device



HDK sweeping machine with high-pressure bar



SFK sweeping machine with high-pressure system and water tank

Water tanks

We have water tanks from 600 ltr. up to 5.400 ltr. and more in our programme. They are designed for mounting in the rear 3-point of the tractor or are placed on the platform of compact vehicles and trucks. The water tanks are individually adapted by installing an overflow to comply with the specified axle loads.



Water tank WHT 600-PE with 600 ltr. capacity



Water tank WHT 2000-PE with 2000 ltr. capacity



Water tank WHT 1000-GFK with 1000 ltr. capacity



Water tank WHT 1800-PE with 1800 ltr. capacity

Water tanks



Water tank WHT with cut-out



Water tank WHT 2000-4500 with cut-out



Water tank WHT 2000-5400 without cut-out



Water tank WHT 2000-5400 without cut-out

Mounting variants of water tanks



Water tank for mounting on ball points



Water tank for mounting on platform

Water tanks - possible options

Hand guns or watering equipment with hose reel and high-pressure water pump can be mounted directly on the frame of the water tank. In addition, a cube shape around the water tank with a standard crane mount is possible, to which additional e.g. flash units, tool boxes, sewer flushing equipment etc. can be attached.



Hand gun and high-pressure water pump



Casting lance with reel



Channel flushing device on the cube frame from the water tank



Cube frame around the water tank

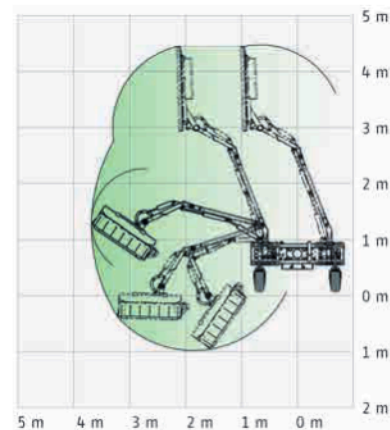
The DÜCKER Water technology

The DÜCKER water technology in connection with the DÜCKER outrigger series from UNA 200 over UNA 600 up to DUA 800 becomes more and more extensive and versatile. The experiences of the last years have shown that an individual solution can be found for almost every project. No matter for which carrier vehicle or for which purpose, whether for tunnel washing, watering or for fighting the oak processionary moth, at DÜCKER you will find the suitable solution.

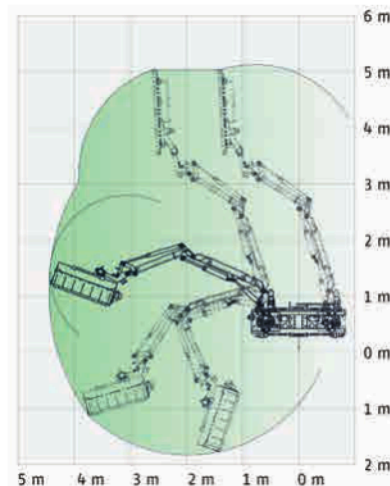
We offer different sizes of water tanks and water pumps with different drive variants. Due to the high flexibility, an individually suitable solution can almost always be found.

The range of the DÜCKER-outriggers

UNA 200



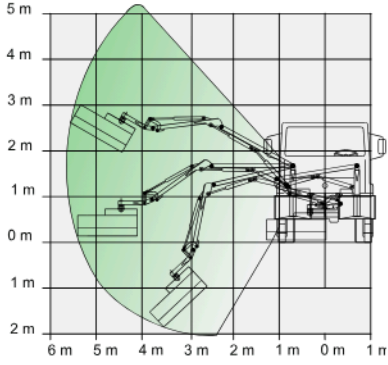
DBM 400



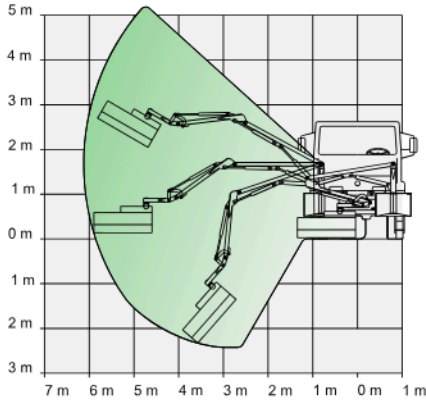
Technical data

Outrigger	UNA 200	DBM 400	MBM 400
Range	3,40 m	4,45 m	5,30 m
Transport width	1,65 m	1,70 m	2,00 m
Weight basic unit	320 kg	380 kg	750 kg
Hydraulic side shift	1,15 m	1,15 m	1,40 m
Swivel angle implement	140°	180°	170°
Right-left working	yes	yes	yes
Control unit	Electro-hydraulic control or from the vehicle		CAN-Bus control,
Mounting	Front mounting plate of the three-point linkage Cat. I + II		

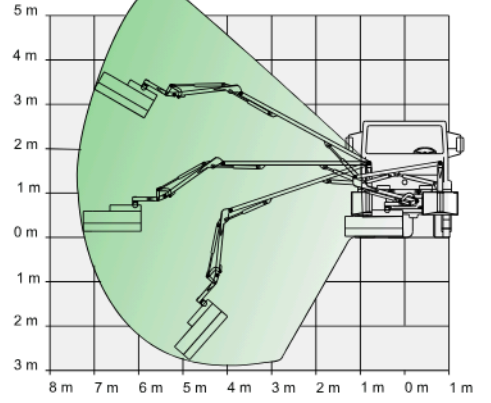
UNA 450



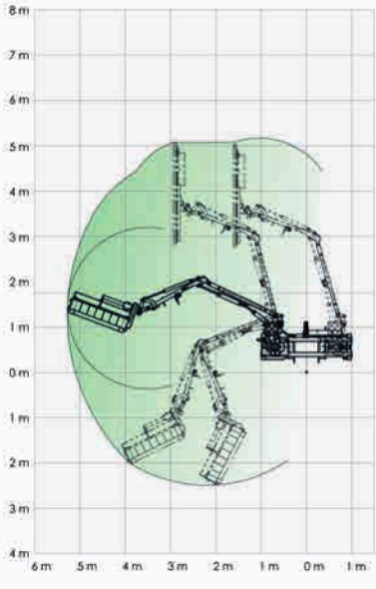
UNA 500



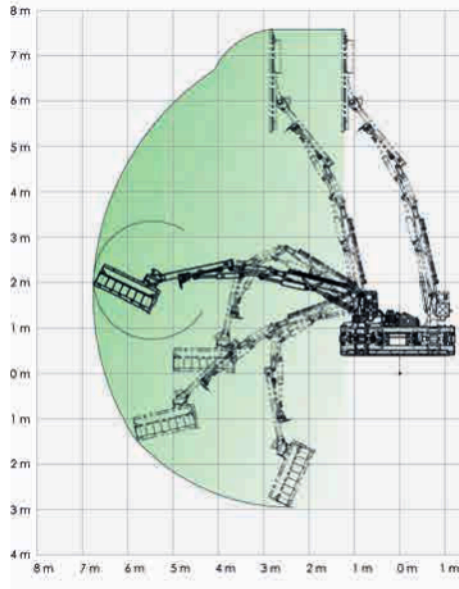
UNA 600



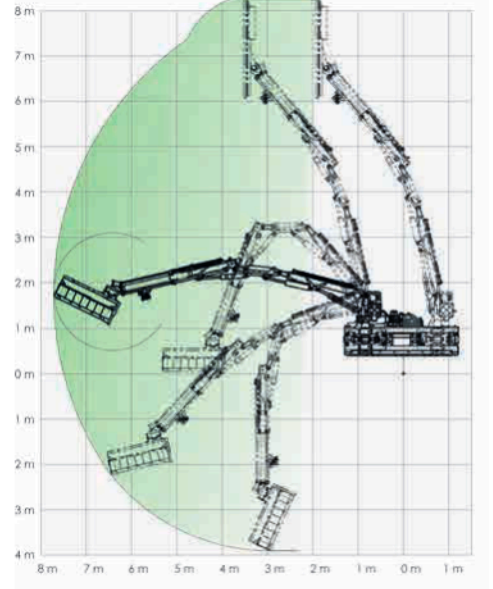
MBM 400



DUA 700



DUA 800



UNA 450	UNA 500	UNA 600	DUA 700	DUA 800
5,40 m	6,00 m	7,30 m	6,80 m	7,80 m
2,20 m	2,40 m	2,50 m	2,50 m	2,50 m
850 kg	900 kg	1050 kg	1050 kg	1250 kg
1,40 m	1,60 m	1,70 m	1,60 m	1,60 m
170°	170°	170°	270°	270°
yes	yes	yes	yes	yes

optionally with outrigger relief control and Tastronic

CAN-BUS control with outrigger relief as standard and optional Tastronic

Front mounting plate of the vehicle panel size 3 or size 5

Technology for environmental landscape management and agriculture



GERHARD DÜCKER GMBH & CO. KG
48703 Stadtlohn, Wendfeld 9, Germany
Telefon 0 25 63 / 93 92 - 0
E-Mail info@duecker.de
Internet www.duecker.de

